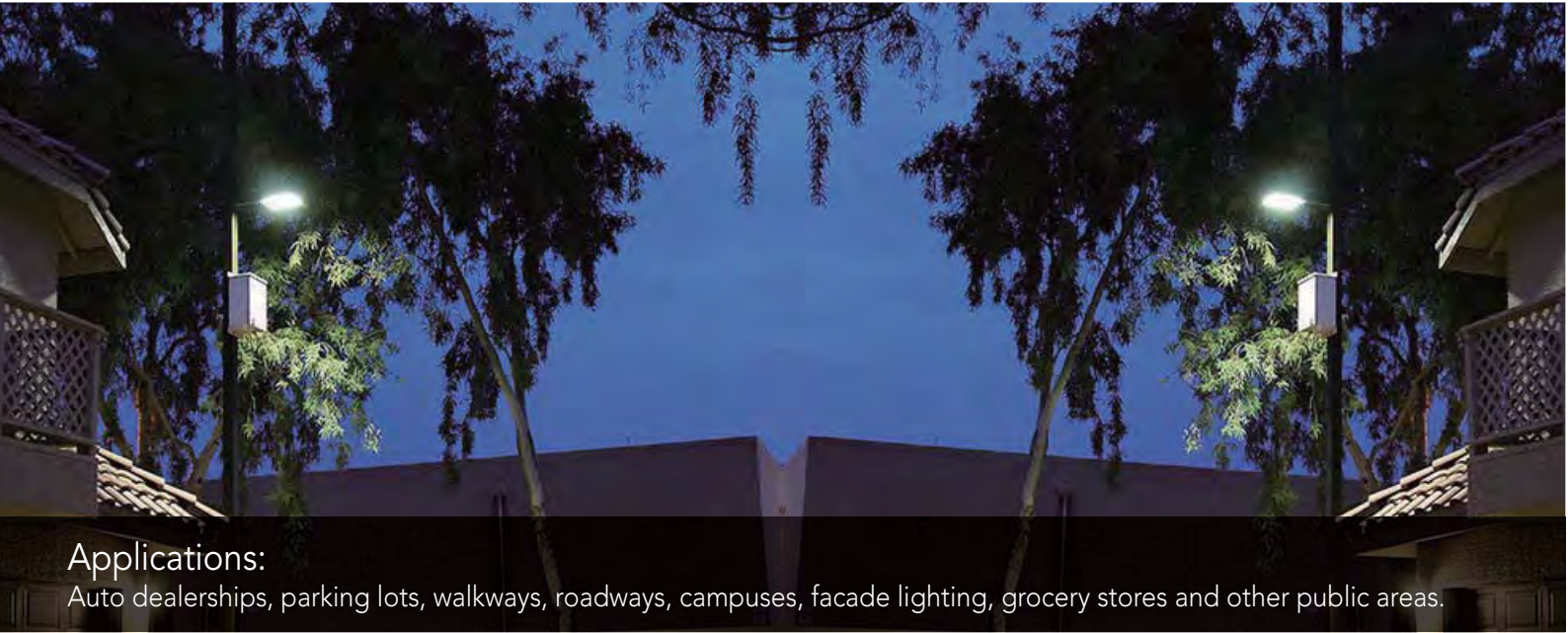


# AREA LIGHT



## Applications:

Auto dealerships, parking lots, walkways, roadways, campuses, facade lighting, grocery stores and other public areas.

## Features

- The one piece die-cast aluminum housing with UV resistant polycarbonate optical lens, outstanding corrosion protection.
- Voltage is 120-277V & 347/480V
- Suitable for mounting heights ranging from 18-36' in area lighting applications
- Lumen output from 9000-40000lm with efficacy up to 130lm/W.
- Round pole and square pole mounting, direct wall mounting, slipfitter mounting options available
- Long lasting with lifespan 50,000 hrs
- Fixtures are IP66 rated and suitable for use in ambients from -40°C to 45°C (-40°F to 113°F).
- Various distribution patterns including Type III and Type IV and Type V
- UL Wet location listed and DLC qualified

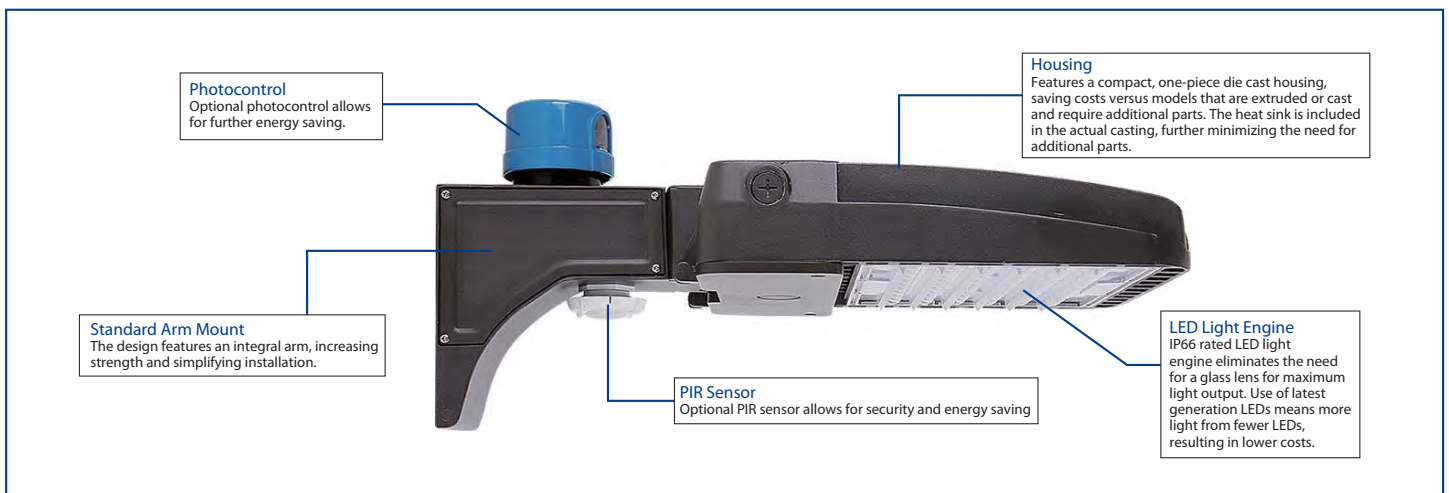
Small Size: 70W/105W




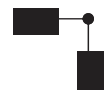



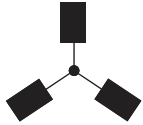
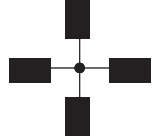
Medium Size: 150W/200W



Large Size: 250W/300W



## EPA OF AREA LIGHT

Item							
	1	2 @90°	2 @120°	2@180°	3 @90°	3 @120°	4 @90°
70W/105W	0.626	0.705	0.971	0.981	0.982	0.975	0.982
150W/200W	0.667	0.742	1.162	1.165	1.167	1.163	1.167
250W/300W	0.847	0.996	1.629	1.634	1.636	1.632	1.636

## ELECTRICAL DATA

Number Of Drivers	Driver Current (Amps)	Nominal Power (W)	INPUT VOLTAGE (V)	CURRENT (Amps)
1	1750	70	120	0.58
		70	208	0.34
		70	240	0.29
		70	277	0.25
		75	347	0.22
		75	480	0.16
1	2600	105	120	0.88
		105	208	0.50
		105	240	0.44
		105	277	0.38
		110	347	0.32
		110	480	0.23
1	3800	150	120	1.25
		150	208	0.72
		150	240	0.63
		150	277	0.54
		150	347	0.43
		150	480	0.31
1	4900	200	120	1.67
		200	208	0.96
		200	240	0.83
		200	277	0.72
		200	347	0.58
		200	480	0.42
1	6400	250	120	2.08
		250	208	1.20
		250	240	1.04
		250	277	0.90
		250	347	0.72
		250	480	0.52
2	7700	300	120	2.50
		300	208	1.44
		300	240	1.25
		300	277	1.08
		300	347	0.86
		300	480	0.63

# MOUNTING

- Standard versatile mounting arm accommodates multiple drilling patterns as well as square and round poles
- Wall Mount available for direct wall mounting and J-box mounting
- Optional for cast aluminum slipfitter mounting adapter

## Mounting Options



**Arm Mount** (4" and 5" Square and Round poles)  
Standard versatile mounting arm is simple to install and can be used with existing poles for retrofit installations.

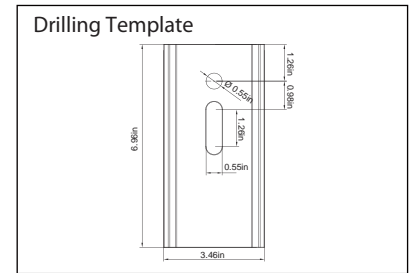
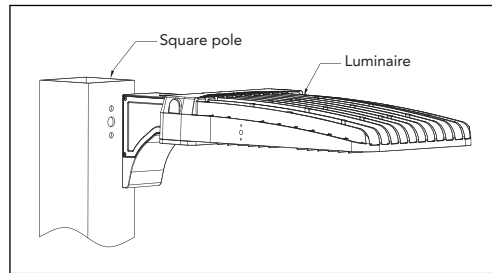
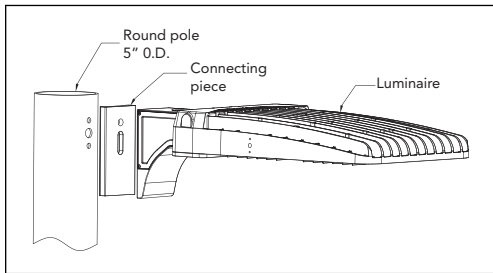


**Slipfitter Mount**  
An optional cast aluminum mast arm adapter secures fixture head to nominal 2"(2-3/8" O.D. pipe size) horizontal steel tenon arm.



**Wall Mount**  
Wall Mount is easy to install for direct wall mounting with 1/2" conduit wiring or standard J-box mounting

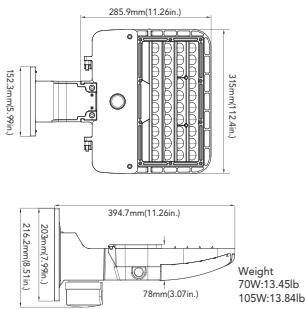
## Mounting Dimensions



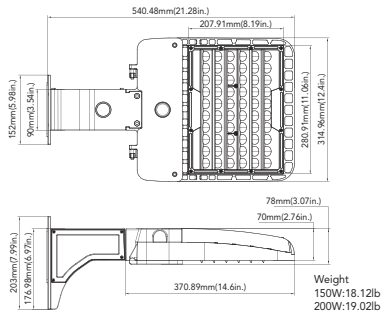
# DIMENSION

unit: inch/mm

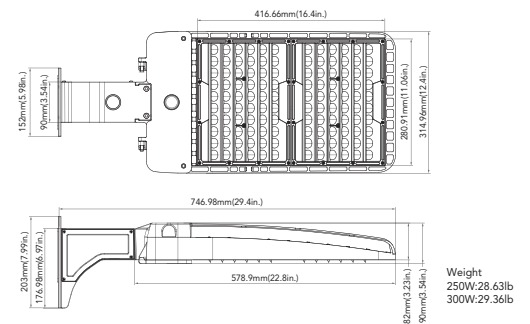
### 70W&105W ( Wall Mount )



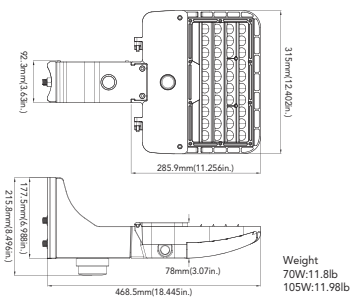
### 150W&200W ( Wall Mount )



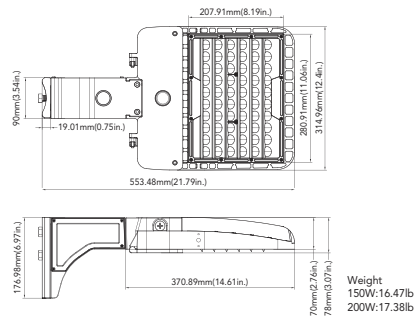
### 250W&300W ( Wall Mount )



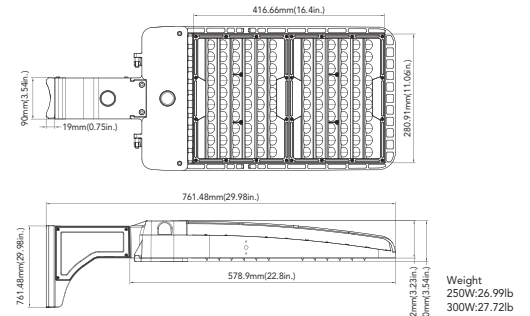
### 70W&105W ( Pole Mount )



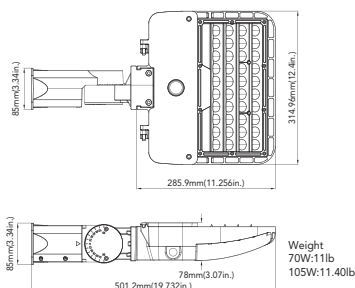
### 150W&200W ( Pole Mount )



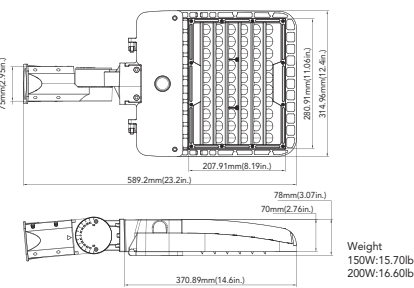
### 250W&300W ( Pole Mount )



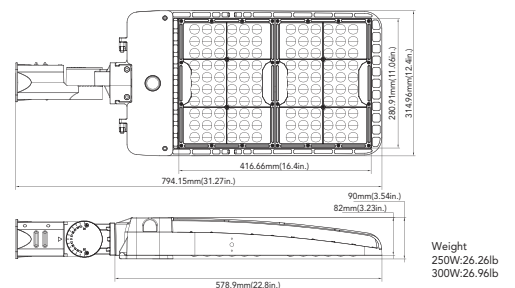
### 70W&105W ( Slipfitter Mount )



### 150W&200W ( Slipfitter Mount )



### 250W&300W ( Slipfitter Mount )

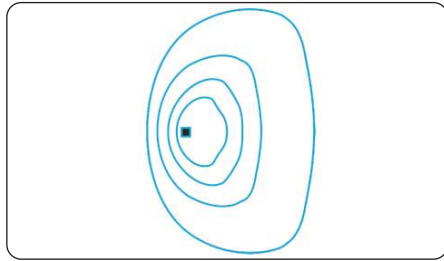


# PHOTOMETRICS

Lite-way offers a complete set of optical systems to meet every site lighting requirement. These systems provide remarkable flexibility in precisely matching light distribution patterns to specific site requirements.

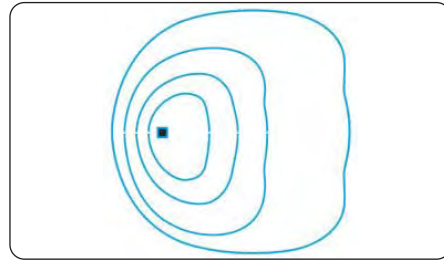
## Type 3:

Type 3 optics produce an asymmetrical pattern that directs the majority of the light forward and equally on both sides of the luminaire. In a back-to-back



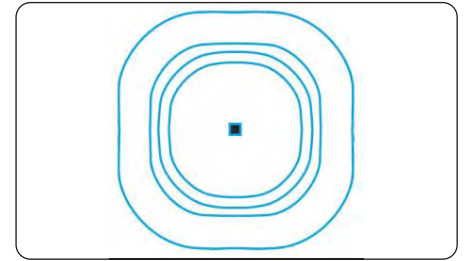
## Type 4:

Type 4 is suitable for applications where light is primarily required forward, and minimal backlight is



## Type 5:

Type 5 optics produce a symmetrical square pattern that distributes light equally on all sides of the luminaire. Type 5 luminaires



# ENERGY SAVING REPLACEMENT

MESTER MODEL	L02050 / L02464	L02051 / L02465	L02052 / L02033	L02230 / L02466	L02034 / L02035	L02214 / L02473
Replacing	175W PSMH	250W PSMH	320W PSMH	400W PSMH	750W PSMH	1000W PSMH

# PERFORMANCE DATA

SYSTEM WATTS	DIST. TYPE	4000K(70CRI)					5000K(70CRI)				
		LUMENS	LPW	B	U	G	LUMENS	LPW	B	U	G
70W	3	9000lm	129 lm/W	2	3	2	9000lm	129 lm/W	2	3	2
	5	9500lm	136 lm/W	3	3	1	9500lm	136 lm/W	3	3	1
105W	3	13400lm	128 lm/W	3	2	2	13400lm	128 lm/W	3	2	2
	5	13400lm	128 lm/W	3	2	1	13400lm	128 lm/W	3	2	1
150W	3	20000lm	133 lm/W	3	2	2	20000lm	133 lm/W	3	2	2
	5	20500lm	137 lm/W	4	2	2	21000lm	140 lm/W	4	2	2
200W	3	24500lm	123 lm/W	3	2	2	24500lm	123 lm/W	3	2	2
	5	24500lm	123 lm/W	4	2	2	24500lm	123 lm/W	4	2	2
250W	3	33000lm	132 lm/W	4	2	3	33000lm	132 lm/W	4	2	3
	5	35000lm	140 lm/W	5	2	2	36500lm	146 lm/W	5	2	2
300W	3	39000lm	130 lm/W	4	2	3	39000lm	130 lm/W	4	2	3
	5	40000lm	133 lm/W	5	2	2	40000lm	133 lm/W	5	2	2

# ADDITIONAL MOUNTING ACCESSORIES

POLE BRACKET • For mounting one fixture on an existing pole		WALL BRACKET • Attaches to any flat surface • Provides wiring access	
	<p><b>4" Square Pole Mount with 2-3/8" O.D. Tenon</b> No. L02193 Finish: Dark Bronze USE: For use with square, non-tapered steel and aluminum poles. Furnished with four 5/16" hex head stainless-steel bolts. Vertical tenon measures 2-3/8" O.D., and is made of steel tubing. Fixtures mounted to this bracket can be adjusted both vertically and horizontally.</p>		<p><b>90° Wall Mount Bracket with 2-3/8" O.D. Tenon</b> NO. L02194 Finish: Dark Bronze USE: The 90° wall mount bracket with 2-3/8" tenon attaches an MESTER floodlight to almost any surface: wall, roof, or wood pole. Provides wiring access and abuilt-in 2-3/8" O.D. tenon to mount a fixture with our adjustable slipfitter. Suggested 3/8" diameter bolts for mounting. Mounting holes are spaced 3-1/4" apart.</p>
	<p><b>5" Square Pole Mount with 2-3/8" O.D. Tenon</b> No. L02192 Finish: Dark Bronze USE: For use with square, non-tapered steel and aluminum poles. Furnished with four 5/16" hex head stainless-steel bolts. Vertical tenon measures 2-3/8" O.D., and is made of steel tubing. Fixtures mounted to this bracket can be adjusted both vertically and horizontally.</p>		
	<p><b>Bracket with 2-3/8" O.D. Tenon</b> NO. L02195 Finish: Dark Bronze USE: The 2-3/8" OD Tenon Mount Adaptor for Yoke Fixtures is designed to mount Techlight light fixtures that are equipped with a yoke mount onto a 2-3/8" OD tenon. 2" slipfitter adaptor for MESTER flood lights with trunnion. Goes on 2" pipe and accepts a trunnion fixture.</p>		